

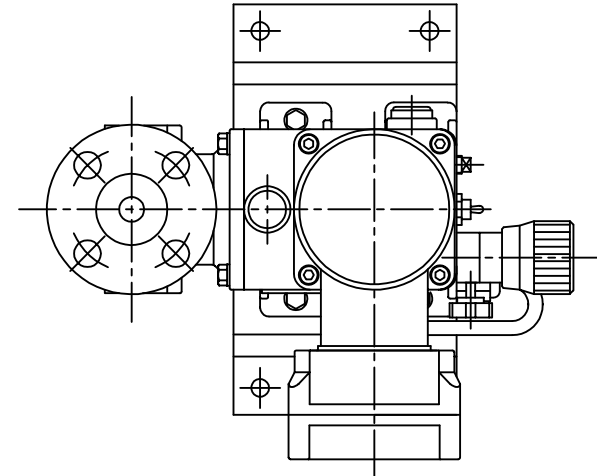
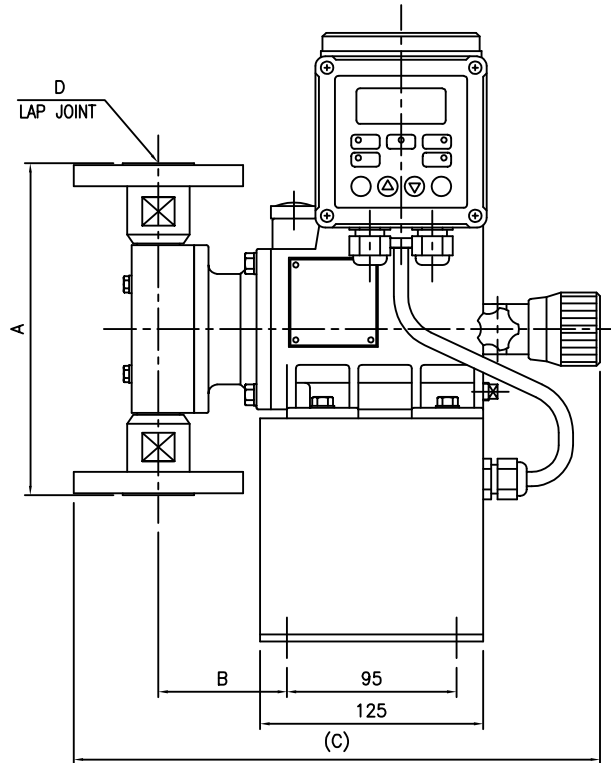
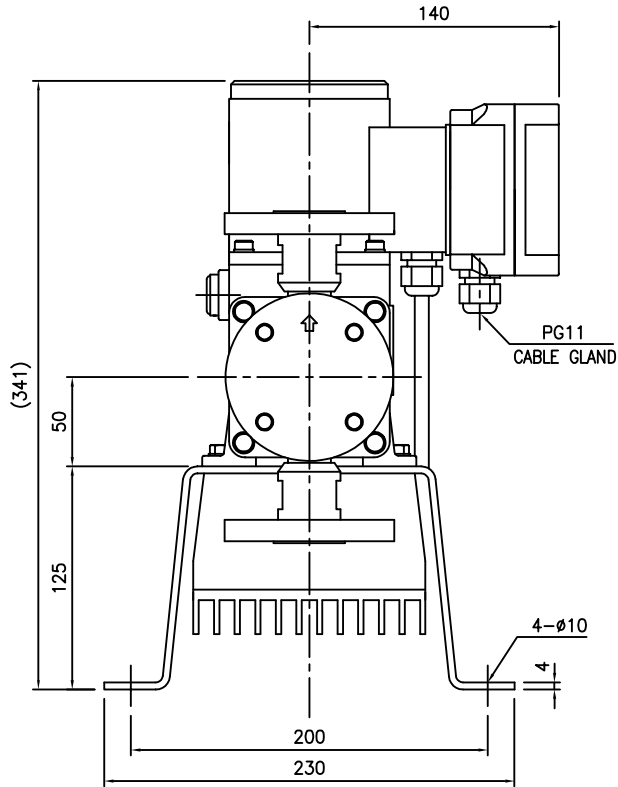
DIMENSIONS (mm)					
PUMP MODEL	A	B	C	D	WEIGHT(kg)
KM-A-521-P□□	184	73	296	KS10K 15A RF	9.5
KM-A-521-F□□					9.6
KM-A-102-P□□	190	73	296	KS10K 15A RF	9.5
KM-A-102-F□□					9.6

PUMP SPECIFICATIONS		
PUMP MODEL	KM-A-521	KM-A-102
MAX.CAPACITY (ml/min)	520	1025
MAX.DIS.PRESSURE (bar)	7	5
MAX.STROKE PER MINUTE (SPM)	115	
POWER (W)	120 (BLDC MOTOR)	

BLDC MOTOR & CONTROLLER	
TYPE	MOTOR RPM CONTROL
VOLTAGE	1φ 110~220VAC
INPUT SIGNAL	4~20mADC
OUTPUT SIGNAL	4~20mADC ISOLATED

ITEM NO	NO.	DESCRIPTION	SIZE	MAT'L	Q'TY	REMARK
	MAT'L	MAT'L DIM	WEIGHT	SCALE N/S(0.32)		
	FILE NAME	GOAPF-02	専属 TITLE	OUTLINE DRAWING		
	APPROVED		KM-A-521,102 PUMP(FLANGE TYPE)			
	CHECKED		専属 DWG NO G42102			
	DESIGNED					
	DRAWN					
STORAGE NO.						
ORG.DWG						

천세산업 주식회사
CHEON SEI IND. CO.,LTD.



DIMENSIONS (mm)					
PUMP MODEL	A	B	C	D	WEIGHT(kg)
KM-A-521-S□□	186	72	295	KS10K 15A RF	12.4
KM-A-521-6□□					
KM-A-102-S□□	192	73	296	KS10K 15A RF	12.6
KM-A-102-6□□					

PUMP SPECIFICATIONS		
PUMP MODEL	KM-A-521	KM-A-102
MAX.CAPACITY (ml/min)	520	1025
MAX.DIS.PRESSURE (bar)	7	5
MAX.STROKE PER MINUTE (SPM)	115	
POWER (W)	120 (BLDC MOTOR)	

BLDC MOTOR & CONTROLLER	
TYPE	MOTOR RPM CONTROL
VOLTAGE	1φ 110~220VAC
INPUT SIGNAL	4~20mADC
OUTPUT SIGNAL	4~20mADC ISOLATED

ITEM NO	NO.	DESCRIPTION	SIZE	MAT'L	Q'TY	REMARK
	MAT'L	MAT'L DIM	WEIGHT	SCALE N/S(0.32)		
	FILE NAME	GOASF-02	専属 TITLE	OUTLINE DRAWING		
	APPROVED		KM-A-521,102 PUMP(FLANGE TYPE)			
	CHECKED		専属 DWG NO G42302			
	DESIGNED					
	DRAWN					
STORAGE NO.			천세산업 주식회사 CHEON SEI IND. CO.,LTD.			
ORG.DWG						