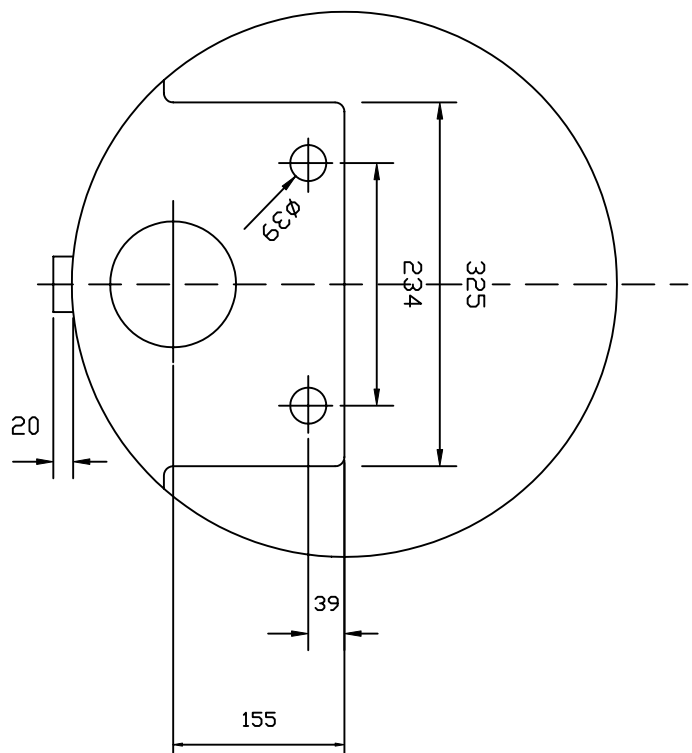
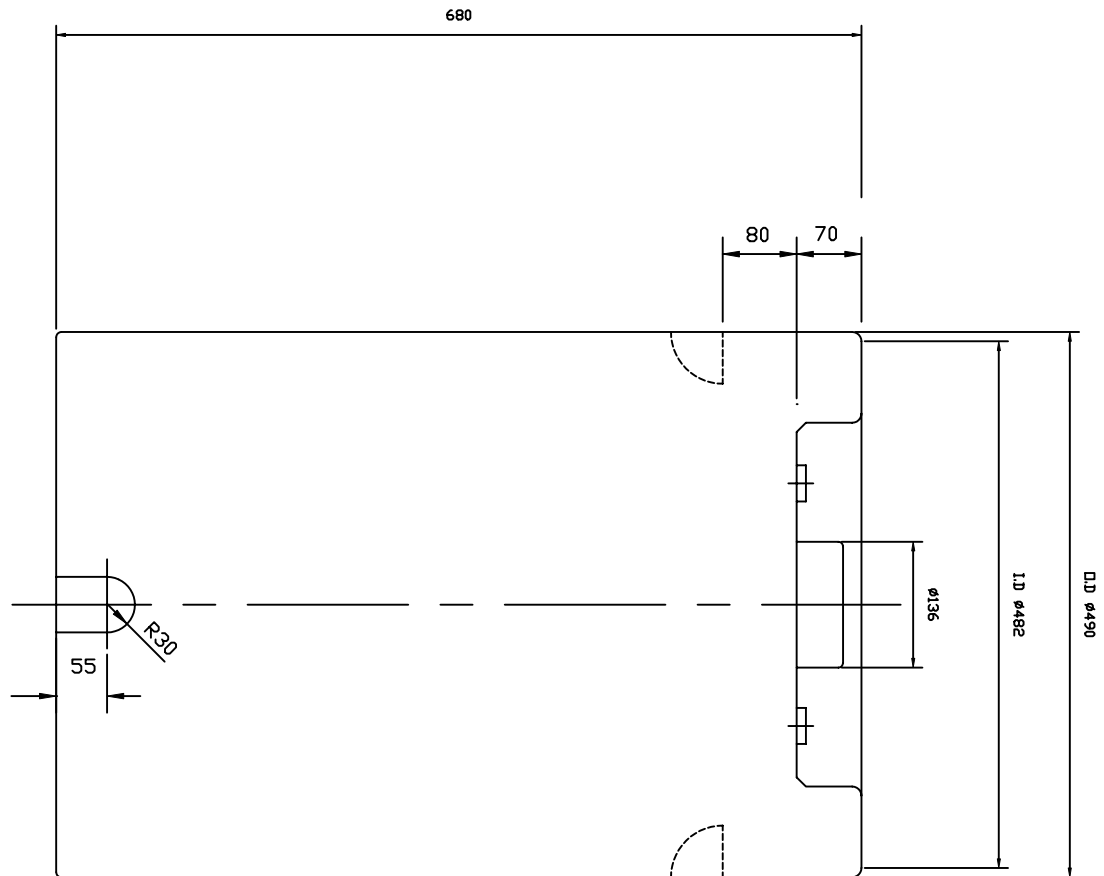


REV. NO.	REVISION	BY	DATE
△			



**NOTE**

- TANK COLOR :
- SERVICE :
- PACKING :
- Q'TY : Set
- TANK : ±1.5%



ITEM NO.	DESCRIPTION	SIZE	Q'TY	RATING	REMARK
PROJECT					
TITLE: ELPAL TANK (EN-100)					
SCALE: N/S					
TRIGONOMETRY SHEET					
DIVISION		BY		DATE	
DRAWN					
DESIGNED					
CHECKED					
APPROVED					
JOB NO.	DRAWING NO.				