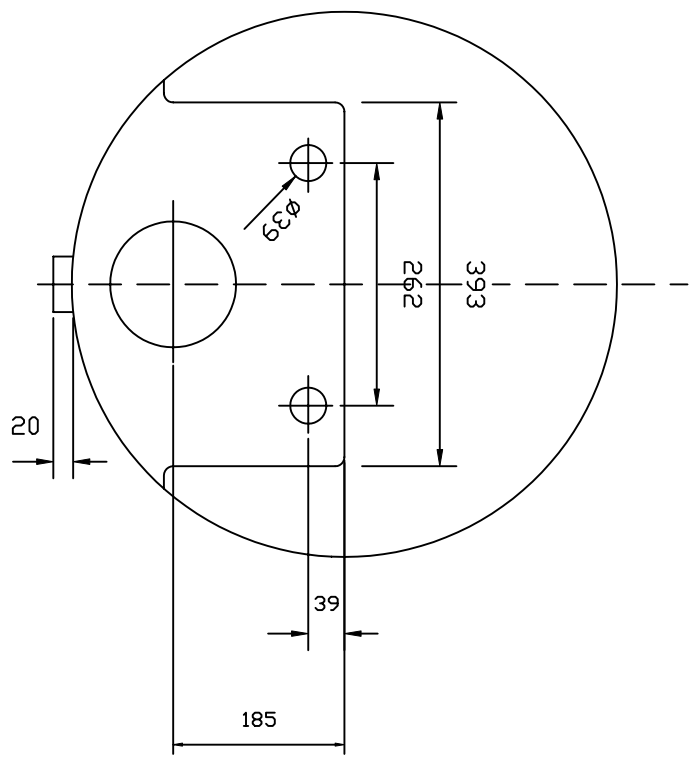
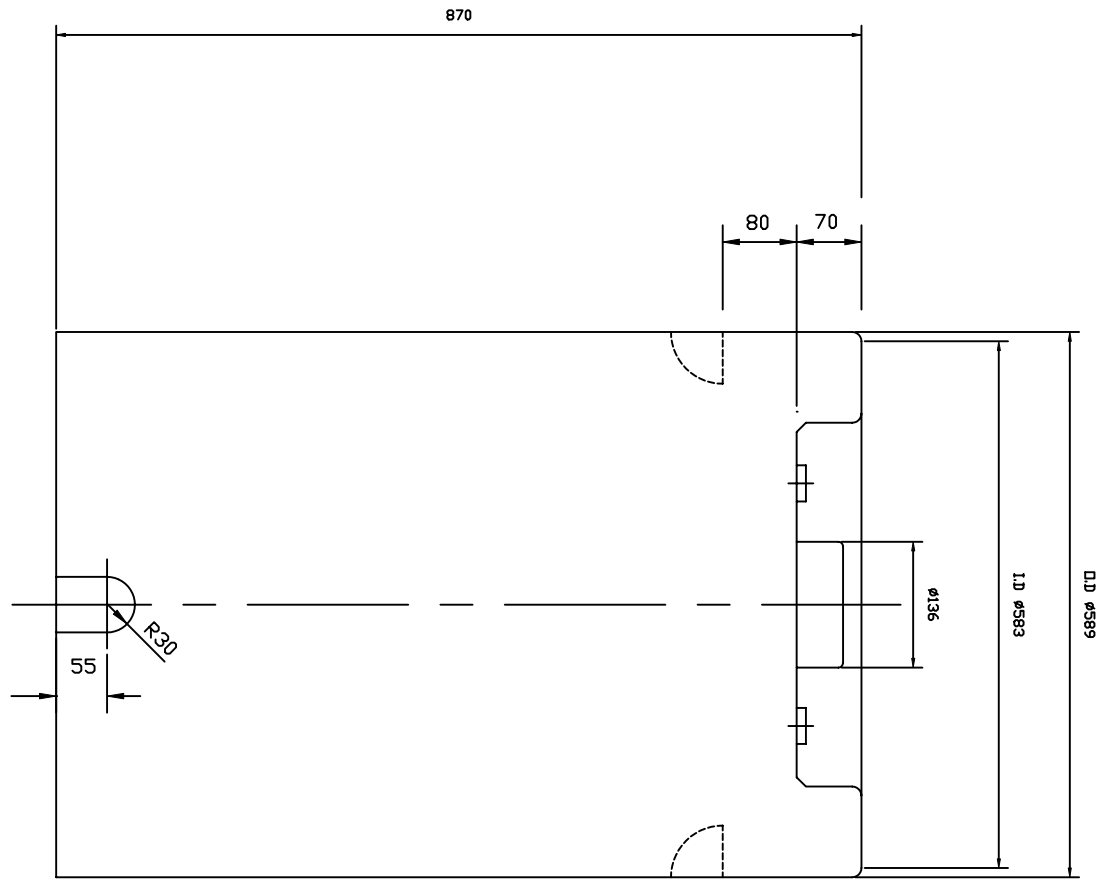


REV. NO.	REVISION	BY	DATE
△			



**NOTE**

1. TANK COLOR :
2. SERVICE :
3. PACKING :
4. Q'TY : Set
5. TANK : ±1.5%



**천세산업 주식회사**  
CHEON SEI IND. CO., LTD.

ITEM NO.	DESCRIPTION	SIZE	Q'TY	RATING	REMARK
PROJECT					
TITLE: <b>ELP AI TANK (EN-200)</b>					
SCALE: N/S			TRIGONOMETRY SHEET		
DIVISION		BY		DATE	
DRAWN					
DESIGNED					
CHECKED					
APPROVED					
JOB NO.	DRAWING NO.				