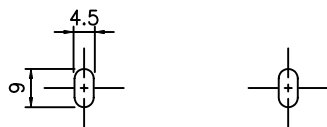
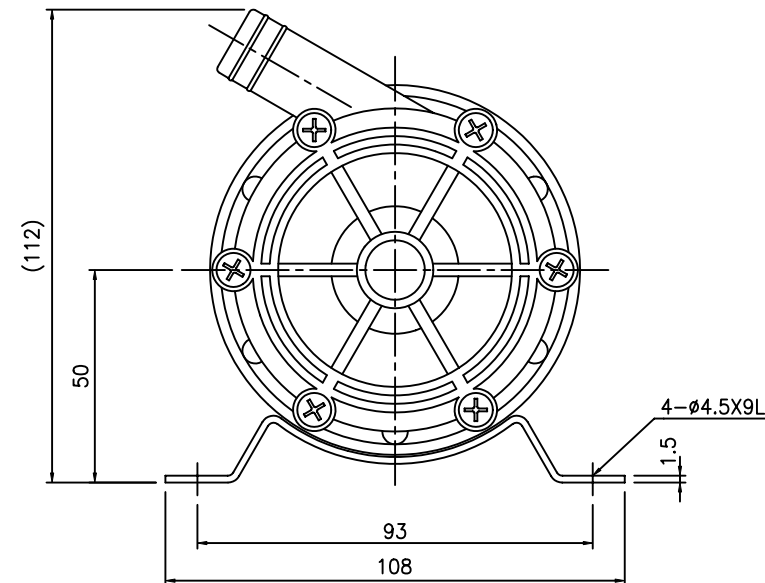
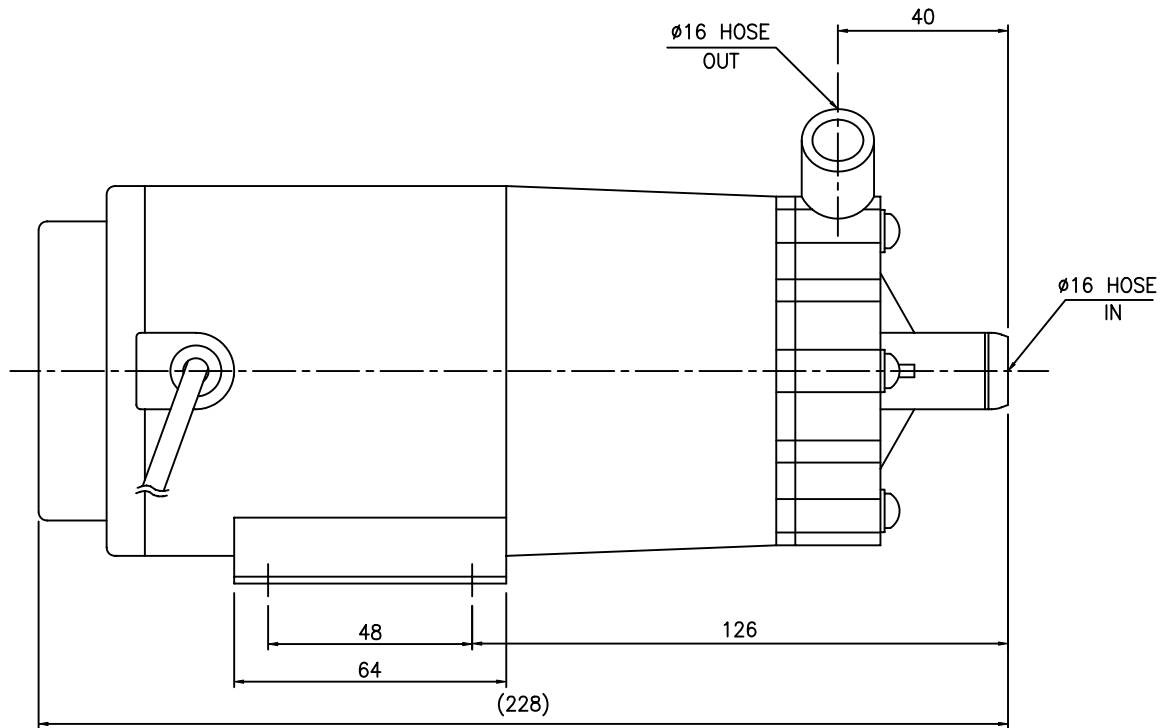


MARK	REVISION DESCRIPTION	DATE	DRAWN	APPROVED
△				
△				
△				
△				



PUMP SPECIFICATIONS		
FREQUENCY (Hz)	50	60
MAX.HEAD (M)	2.9	4.3
MAX.CAPACITY (L/min)	25	30
STAND.CAPACITY (L/min)	15 AT 2M	22 AT 2M
MAX.SP.GR.	1.1	
MOTOR OUTPUT (W)	1ø 35	
APPROX.WEIGHT (kg)	2.9	

ITEM NO	NO.	DESCRIPTION	SIZE	MAT'L	Q'TY	REMARK
		소재번호	MAT'L DIM	중량	WEIGHT	척도
	FILE NAME	MS00H-01	도명	TITLE	OUTLINE DRAWING	
	APPROVED		MX-30 MAGNETIC DRIVE PUMP			
	CHECKED		도번	DWG NO	840001	
	DESIGNED					
관련도면	적용품목	DRAWN				
STORAGE NO.	작성부서	DATE	천세산업 주식회사 CHEON SEI IND. CO.,LTD.			
ORG.DWG	연구개발부	2004.09.21				